

CATÁLOGO TÉCNICO DO  
**PRODUTO**



[www.agraz.ind.br](http://www.agraz.ind.br)

Forçadores de Ar | **FMV**

---

# Forçadores de Ar | FMV



A linha de **evaporadores com ar forçador FMV** foi desenvolvida para instalação no teto de câmaras frias de médio porte, com pé direito de até cinco metros. Possui construção compacta, robusta, e instalação extremamente simplificada.

## Características e diferenciais:

- Carenagem em alumínio;
- Bandeja de alumínio articulada;
- Aletas de alumínio auto espaçadas em 5mm; 7mm ou 9mm
- Tubos em cobre 1/2";
- Sistema de coletores prontos para receber válvulas de expansão com equalização externa;
- Sistema modular de degelo;
- Ventiladores exaustores EBM um dos mais potentes e confiáveis do segmento.

## IDENTIFICAÇÃO DO MODELO

**FMV 2 40 .5 5 3 D.N. 380 3F**

**FMV**= Evaporador a ar forçado média vazão

**Nº Ventiladores**  
1/2/3/4

**Diâmetro dos ventiladores**  
40=400mm

**Versão Aletado**  
.5= Compacto  
.7=Padrão

**Nº de filas**  
5/6

**Tensão de alimentação Trifásica**  
230V 3F / 380V 3F

**D.E.**= Degelo Elétrico  
**D.N.**= Degelo Natural

**App (Aletas por polegada)**  
2,82App=3  
3,63App=4  
5,08App=5

# CAPACIDADE FRIGORÍFICA

## Modelo FMV E9

kcal/h, Tev, Dt 8°C, R22											
Modelo	-40°C	-35°C	-30°C	-25°C	-20°C	-15°C	-10°C	-5°C	0°C	5°C	10°C
FMV 140.553	2.205	2.320	2.430	2.550	2.685	2.855	3.065	3.245	3.450	3.690	3.960
FMV 140.563	2.330	2.535	2.695	2.875	3.065	3.290	3.510	3.715	3.970	4.280	4.630
FMV 140.753	2.530	2.755	2.980	3.220	3.455	3.680	3.980	4.250	4.575	4.975	5.425
FMV 140.763	3.155	3.305	3.480	3.650	3.845	4.090	4.420	4.725	5.080	5.480	5.935
FMV 240.553	4.475	4.650	4.855	5.060	5.295	5.585	5.980	6.300	6.735	7.175	7.670
FMV 240.563	4.925	5.240	5.560	5.900	6.260	6.685	7.115	7.520	8.020	8.640	9.340
FMV 240.753	5.710	5.975	6.290	6.600	6.980	7.425	8.020	8.480	9.055	9.755	10.545
FMV 240.763	6.475	6.755	7.080	7.405	7.780	8.260	8.930	9.515	10.210	11.010	11.920
FMV 340.753	7.990	8.620	9.295	9.960	10.605	11.270	12.155	12.945	13.920	15.115	16.475
FMV 340.763	9.040	9.715	10.440	11.160	11.905	12.650	13.630	14.525	15.605	16.955	18.495
FMV 440.753	11.590	12.095	12.710	13.360	14.050	14.930	16.110	17.020	18.160	19.560	21.145
FMV 440.763	13.120	13.675	14.295	14.915	15.650	16.600	17.930	19.090	20.470	22.070	23.885

kcal/h, Tev, Dt 8°C, R134A											
Modelo	-40°C	-35°C	-30°C	-25°C	-20°C	-15°C	-10°C	-5°C	0°C	5°C	10°C
FMV 140.553	-----	-----	-----	2.250	2.485	2.730	3.010	3.225	3.475	3.730	4.040
FMV 140.563	-----	-----	-----	2.345	2.645	2.960	3.275	3.565	3.845	4.200	4.595
FMV 140.753	-----	-----	-----	2.510	2.870	3.230	3.620	3.935	4.325	4.775	5.270
FMV 140.763	-----	-----	-----	3.215	3.580	3.935	4.350	4.705	5.090	5.515	6.020
FMV 240.553	-----	-----	-----	4.615	5.045	5.500	6.015	6.405	6.865	7.350	7.920
FMV 240.563	-----	-----	-----	4.945	5.530	6.125	6.740	7.305	7.855	8.565	9.350
FMV 240.753	-----	-----	-----	5.890	6.490	7.135	7.830	8.425	9.055	9.850	10.735
FMV 240.763	-----	-----	-----	6.710	7.350	8.045	8.855	9.530	10.290	11.145	12.150
FMV 340.753	-----	-----	-----	8.020	9.065	10.110	11.265	12.200	13.355	14.705	16.190
FMV 340.763	-----	-----	-----	9.085	10.260	11.415	12.690	13.745	15.030	16.540	18.215
FMV 440.753	-----	-----	-----	11.995	13.175	14.445	15.805	16.970	18.225	19.815	21.575
FMV 440.763	-----	-----	-----	13.645	14.895	16.270	17.880	19.195	20.700	22.400	24.410

kcal/h, Tev, Dt 8°C, R404A											
Modelo	-40°C	-35°C	-30°C	-25°C	-20°C	-15°C	-10°C	-5°C	0°C	5°C	10°C
FMV 140.553	2.135	2.280	2.445	2.610	2.780	2.980	3.215	3.435	3.705	4.035	4.410
FMV 140.563	2.195	2.350	2.555	2.760	2.975	3.215	3.495	3.765	4.080	4.465	4.905
FMV 140.753	2.350	2.510	2.730	2.975	3.230	3.520	3.855	4.185	4.565	5.030	5.555
FMV 140.763	3.070	3.285	3.510	3.740	3.985	4.275	4.635	4.985	5.390	5.905	6.500
FMV 240.553	4.410	4.685	4.990	5.285	5.605	5.980	6.430	6.855	7.375	8.010	8.735
FMV 240.563	4.635	4.925	5.325	5.725	6.140	6.605	7.170	7.710	8.335	9.115	10.005
FMV 240.753	5.540	5.910	6.315	6.715	7.155	7.675	8.315	8.930	9.660	10.575	11.625
FMV 240.763	6.345	6.760	7.195	7.630	8.110	8.685	9.400	10.095	10.905	11.940	13.145
FMV 340.753	7.415	7.900	8.620	9.335	10.085	10.940	11.955	12.950	14.095	15.505	17.130
FMV 340.763	8.420	8.975	9.765	10.550	11.375	12.320	13.455	14.570	15.84	17.430	19.260
FMV 440.753	11.275	12.020	12.805	13.590	14.455	15.480	16.760	17.985	19.445	21.280	23.395
FMV 440.763	12.910	13.730	14.575	15.425	16.365	17.505	18.930	20.320	21.940	24.020	26.435

\*Tev= Temperatura de evaporação

\*Demais fluidos contate nossa engenharia

# CAPACIDADE FRIGORÍFICA

## Modelo FMV E7

kcal/h, Tev, Dt 8°C, R22											
Modelo	-40°C	-35°C	-30°C	-25°C	-20°C	-15°C	-10°C	-5°C	0°C	5°C	10°C
FMV 140.554	2.405	2.605	2.740	2.905	3.075	3.275	3.475	3.650	3.875	4.145	4.440
FMV 140.564	2.525	2.745	2.950	3.175	3.400	3.605	3.875	4.110	4.395	4.745	5.130
FMV 140.754	2.750	2.990	3.275	3.545	3.785	4.080	4.425	4.735	5.105	5.555	6.050
FMV 140.764	3.455	3.660	3.900	4.115	4.355	4.655	5.035	5.305	5.660	6.105	6.610
FMV 240.554	5.015	5.270	5.525	5.800	6.100	6.475	6.885	7.170	7.590	8.085	8.635
FMV 240.564	5.290	5.700	6.120	6.545	6.945	7.345	7.870	8.330	8.900	9.590	10.365
FMV 240.754	6.380	6.750	7.135	7.545	7.990	8.505	9.060	9.560	10.200	10.985	11.870
FMV 240.764	7.180	7.530	7.955	8.365	8.830	9.410	10.150	10.680	11.695	12.280	13.290
FMV 340.754	8.605	9.400	10.235	11.005	11.695	15.550	13.565	14.480	15.585	16.920	18.425
FMV 340.764	9.685	10.520	11.455	12.270	13.015	13.955	15.075	16.105	17.300	18.810	20.510
FMV 440.754	12.975	13.665	14.435	15.230	16.100	17.100	18.205	19.200	20.475	22.045	23.815
FMV 440.764	14.575	15.260	16.080	16.870	17.775	18.930	20.380	21.440	22.855	24.635	26.650

kcal/h, Tev, Dt 8°C, R134A											
Modelo	-40°C	-35°C	-30°C	-25°C	-20°C	-15°C	-10°C	-5°C	0°C	5°C	10°C
FMV 140.554	-----	-----	-----	2.445	2.735	3.025	3.320	3.575	3.830	4.150	4.495
FMV 140.564	-----	-----	-----	2.495	2.845	3.185	3.550	3.840	4.190	4.595	5.035
FMV 140.754	-----	-----	-----	2.700	3.075	3.485	3.965	4.295	4.735	5.240	5.795
FMV 140.764	-----	-----	-----	3.520	3.920	4.345	4.790	5.185	5.580	6.090	6.650
FMV 240.554	-----	-----	-----	5.065	5.605	6.135	6.680	7.140	7.620	8.210	8.845
FMV 240.564	-----	-----	-----	5.285	5.965	6.625	7.335	7.905	8.600	9.395	10.275
FMV 240.754	-----	-----	-----	6.445	7.185	7.900	8.685	9.315	10.090	10.990	11.980
FMV 240.764	-----	-----	-----	7.300	8.075	8.900	9.760	10.535	11.310	12.330	13.450
FMV 340.754	-----	-----	-----	8.580	9.760	10.985	12.170	13.380	14.695	16.210	17.880
FMV 340.764	-----	-----	-----	9.685	10.980	12.325	13.635	14.970	16.410	18.100	19.965
FMV 440.754	-----	-----	-----	13.165	14.610	16.010	17.560	18.800	20.340	22.135	24.110
FMV 440.764	-----	-----	-----	14.875	16.405	18.010	19.705	21.240	22.780	24.815	27.055

kcal/h, Tev, Dt 8°C, R404A											
Modelo	-40°C	-35°C	-30°C	-25°C	-20°C	-15°C	-10°C	-5°C	0°C	5°C	10°C
FMV 140.554	2.290	2.460	2.660	2.855	3.060	3.290	3.555	3.815	4.115	4.480	4.895
FMV 140.564	2.345	2.520	2.725	2.965	3.205	3.480	3.795	4.100	4.450	4.875	5.360
FMV 140.754	2.510	2.695	2.915	3.205	3.500	3.825	4.205	4.580	5.000	5.510	6.090
FMV 140.764	3.285	3.530	3.805	4.070	4.360	4.695	5.100	5.490	5.940	6.515	7.165
FMV 240.554	4.725	5.085	5.460	5.825	6.205	6.640	7.160	7.645	8.230	8.940	9.745
FMV 240.564	4.960	5.235	5.710	6.170	6.650	7.190	7.815	8.430	9.125	9.985	10.970
FMV 240.754	5.955	6.415	6.910	7.395	7.920	8.520	9.245	9.950	10.765	11.790	12.955
FMV 240.764	6.775	7.295	7.820	8.340	8.900	9.560	10.370	11.150	12.050	13.200	14.520
FMV 340.754	8.025	8.645	9.265	10.105	10.990	11.965	13.110	14.240	15.520	17.075	18.855
FMV 340.764	8.840	9.520	10.435	11.350	12.305	13.380	14.645	15.895	17.300	19.050	21.045
FMV 440.754	12.110	13.075	14.040	14.995	16.020	17.220	18.670	20.070	21.705	23.760	26.100
FMV 440.764	13.755	14.855	15.870	16.885	17.995	19.300	20.915	22.470	24.270	26.585	29.235

\*Tev= Temperatura de evaporação

\*Demais fluidos contate nossa engenharia

# CAPACIDADE FRIGORÍFICA

## Modelo FMV E5

kcal/h, Tev, Dt 8°C, R22											
Modelo	-40°C	-35°C	-30°C	-25°C	-20°C	-15°C	-10°C	-5°C	0°C	5°C	10°C
FMV 140.555	2.700	2.915	3.130	3.345	3.545	3.740	3.995	4.205	4.475	4.790	5.140
FMV 140.565	2.755	2.975	3.255	3.515	3.740	4.020	4.335	4.620	4.950	5.360	5.810
FMV 140.755	3.015	3.255	3.595	3.875	4.235	4.595	5.000	5.380	5.815	6.335	6.915
FMV 140.765	3.830	4.110	4.390	4.685	4.990	5.315	5.675	6.025	6.440	6.960	7.540
FMV 240.555	5.585	5.960	6.365	6.740	7.095	7.455	7.925	8.310	8.805	9.395	10.045
FMV 240.565	5.695	6.215	6.760	7.250	7.685	8.220	8.840	9.400	10.055	10.865	11.770
FMV 240.755	7.070	7.595	8.180	8.685	9.205	9.735	10.440	11.065	11.810	12.735	13.765
FMV 240.765	7.920	8.430	8.990	9.550	10.120	10.755	11.470	12.165	12.980	14.015	15.185
FMV 340.755	9.695	10.320	11.325	12.195	13.160	14.205	15.415	16.540	17.825	19.385	21.140
FMV 340.765	10.765	11.455	12.540	13.560	14.465	15.575	16.895	18.115	19.500	21.240	23.205
FMV 440.755	14.420	15.460	16.575	17.550	18.560	19.605	21.015	22.245	23.730	25.585	27.635
FMV 440.765	16.120	17.105	18.215	19.300	20.390	21.545	23.065	24.435	26.065	28.135	30.470

kcal/h, Tev, Dt 8°C, R134A											
Modelo	-40°C	-35°C	-30°C	-25°C	-20°C	-15°C	-10°C	-5°C	0°C	5°C	10°C
FMV 140.555	-----	-----	-----	2.660	2.025	3.365	3.720	3.955	4.340	4.720	5.125
FMV 140.565	-----	-----	-----	2.680	3.055	3.450	3.805	4.215	4.625	5.095	5.600
FMV 140.755	-----	-----	-----	2.900	3.305	3.790	4.245	4.730	5.250	5.835	6.480
FMV 140.765	-----	-----	-----	3.825	4.315	4.790	5.310	5.735	6.240	6.830	7.485
FMV 240.555	-----	-----	-----	5.600	6.240	6.875	7.545	8.055	8.690	9.400	10.160
FMV 240.565	-----	-----	-----	5.600	6.425	7.210	7.960	8.720	9.530	10.465	11.485
FMV 240.755	-----	-----	-----	7.100	7.960	8.835	9.680	10.545	11.465	12.535	13.700
FMV 240.765	-----	-----	-----	7.970	8.915	9.840	10.860	11.695	12.690	13.870	15.180
FMV 340.755	-----	-----	-----	9.440	10.560	12.135	13.395	14.835	16.390	18.165	20.110
FMV 340.765	-----	-----	-----	10.545	11.795	13.350	14.850	16.415	18.095	20.045	22.195
FMV 440.755	-----	-----	-----	14.530	16.215	17.950	19.660	21.330	23.160	25.290	27.615
FMV 440.765	-----	-----	-----	16.290	18.130	19.955	21.980	23.635	25.595	27.950	30.575

kcal/h, Tev, Dt 8°C, R404A											
Modelo	-40°C	-35°C	-30°C	-25°C	-20°C	-15°C	-10°C	-5°C	0°C	5°C	10°C
FMV 140.555	2.460	2.675	2.915	3.155	3.405	3.680	4.000	4.305	4.660	5.080	5.565
FMV 140.565	2.490	2.720	2.955	3.190	3.475	3.790	4.150	4.505	4.900	5.385	5.930
FMV 140.755	2.665	2.895	3.155	3.455	3.810	4.190	4.625	5.060	5.540	6.115	6.765
FMV 140.765	3.505	3.805	4.140	4.465	4.810	5.200	5.665	6.120	6.635	7.285	8.030
FMV 240.555	5.120	5.565	6.035	6.495	6.965	7.495	8.115	8.700	9.385	10.215	11.150
FMV 240.565	5.205	5.655	6.130	6.680	7.250	7.870	8.595	9.310	10.105	11.085	12.195
FMV 240.755	6.450	7.005	7.625	8.230	8.875	9.595	10.455	11.285	12.235	13.415	14.750
FMV 240.765	7.260	7.905	8.550	9.185	9.855	10.630	11.555	12.470	13.500	14.805	16.315
FMV 340.755	8.490	9.240	9.995	10.995	12.045	13.200	14.520	15.835	17.305	19.075	21.090
FMV 340.765	9.485	10.325	11.170	12.245	13.360	14.600	16.030	17.480	19.060	21.030	23.260
FMV 440.755	13.160	14.325	15.535	16.730	18.005	19.440	21.155	22.815	24.730	27.085	29.785
FMV 440.765	14.845	16.135	17.390	18.640	19.695	21.505	23.355	25.185	27.245	29.875	32.900

\*Tev= Temperatura de evaporação

\*Demais fluidos contate nossa engenharia

# DIMENSÕES E CARACTERÍSTICAS TÉCNICAS

## Modelo FMV E9

Ventiladores								Características técnicas			Conexões			Peso
Modelo	Qty	Pot Tot (W)	230V 3F (A)	380V 3F (A)	Ø Hélice	Vz (m³/h)	Flecha~(m)	Ruído (dB)	Área (m²)	Volume (L)	Ø E	Ø S	Ø Dreno	Líquido (Kg)
FMV 140.553	1	190	0,70	0,40	400	3.025	22,00	69	12,15	4,85	5/8"	7/8"	2"	21,51
FMV 140.563	1	190	0,70	0,40	400	2.840	21,00	69	14,55	5,80	5/8"	7/8"	2"	22,56
FMV 140.753	1	190	0,70	0,40	400	3.545	25,00	69	16,45	6,35	5/8"	7/8"	2"	23,99
FMV 140.763	1	190	0,70	0,40	400	3.375	23,00	69	19,75	7,65	5/8"	1.1/8"	2"	25,54
FMV 240.553	2	380	1,40	0,80	400	6.050	22,00	70	24,05	8,45	5/8"	1.1/8"	2"	37,62
FMV 240.563	2	380	1,40	0,80	400	5.680	21,00	70	28,85	10,85	5/8"	1.1/4"	2"	40,66
FMV 240.753	2	380	1,40	0,80	400	7.080	25,00	70	32,70	12,10	5/8"	1.1/4"	2"	43,93
FMV 240.763	2	380	1,40	0,80	400	6.750	24,00	70	39,20	14,50	5/8"	1.3/8"	2"	47,04
FMV 340.753	3	570	2,10	1,20	400	10.625	25,00	71	48,90	17,35	5/8"	1.3/8"	2"	63,25
FMV 340.763	3	570	2,10	1,20	400	10.125	24,00	71	58,70	21,40	5/8"	1.1/2"	2"	67,21
FMV 440.753	4	760	2,80	1,60	400	14.165	25,00	72	65,15	23,60	5/8"	1.5/8"	2"	82,97
FMV 440.763	4	760	2,80	1,60	400	13.500	24,00	72	78,15	28,30	5/8"	2"	2"	89,01

## Modelo FMV E7

Ventiladores								Características técnicas			Conexões			Peso
Modelo	Qty	Pot Tot (W)	230V 3F (A)	380V 3F (A)	Ø Hélice	Vz (m³/h)	Flecha~(m)	Ruído (dB)	Área (m²)	Volume (L)	Ø E	Ø S	Ø Dreno	Líquido (Kg)
FMV 140.554	1	190	0,70	0,40	400	2.890	21,00	69	15,20	4,85	5/8"	7/8"	2"	22,02
FMV 140.564	1	190	0,70	0,40	400	2.705	20,00	69	18,20	5,80	5/8"	7/8"	2"	23,16
FMV 140.754	1	190	0,70	0,40	400	3.425	24,00	69	20,60	6,35	5/8"	7/8"	2"	24,66
FMV 140.764	1	190	0,70	0,40	400	3.245	23,00	69	24,75	7,65	5/8"	1.1/8"	2"	26,35
FMV 240.554	2	380	1,40	0,80	400	5.780	21,00	70	30,10	8,45	5/8"	1.1/8"	2"	38,61
FMV 240.564	2	380	1,40	0,80	400	5.405	20,00	70	36,15	10,85	5/8"	1.1/4"	2"	41,84
FMV 240.754	2	380	1,40	0,80	400	6.845	24,00	70	41,00	12,10	5/8"	1.1/4"	2"	45,28
FMV 240.764	2	380	1,40	0,80	400	6.495	23,00	70	49,15	14,50	5/8"	1.3/8"	2"	48,66
FMV 340.754	3	570	2,10	1,20	400	10.270	24,00	71	61,35	17,35	5/8"	1.3/8"	2"	65,25
FMV 340.764	3	570	2,10	1,20	400	9.745	23,00	71	73,60	21,40	5/8"	1.1/2"	2"	69,61
FMV 440.754	4	760	2,80	1,60	400	13.685	24,00	72	81,70	23,60	5/8"	1.5/8"	2"	85,65
FMV 440.764	4	760	2,80	1,60	400	12.990	23,00	72	98,05	28,30	5/8"	2"	2"	92,22

## Modelo FMV E5

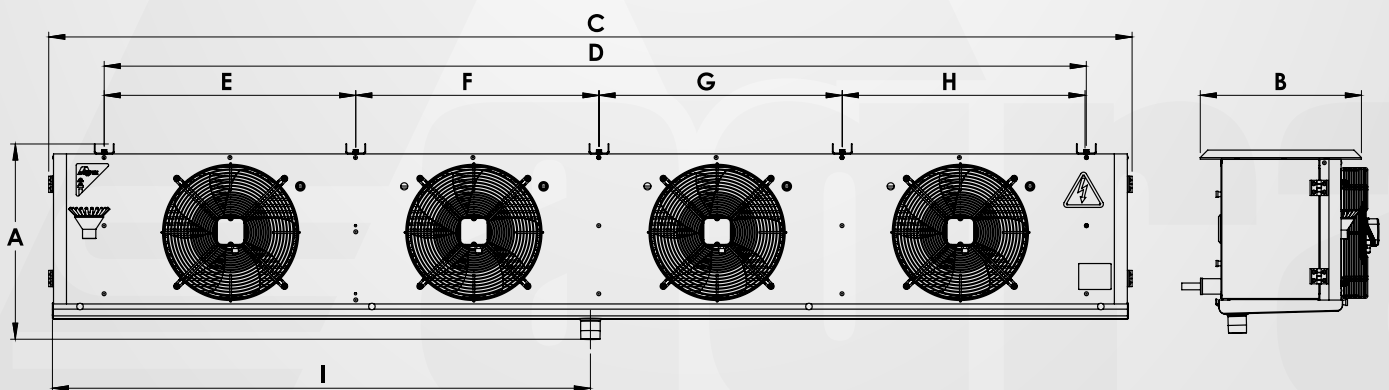
Ventiladores								Características técnicas			Conexões			Peso
Modelo	Qty	Pot Tot (W)	230V 3F (A)	380V 3F (A)	Ø Hélice	Vz (m³/h)	Flecha~(m)	Ruído (dB)	Área (m²)	Volume (L)	Ø E	Ø S	Ø Dreno	Líquido (Kg)
FMV 140.555	1	190	0,70	0,40	400	2.700	19,0	69	20,60	4,85	5/8"	7/8"	2"	22,63
FMV 140.565	1	190	0,70	0,40	400	2.515	18,0	69	24,75	5,80	5/8"	7/8"	2"	24,23
FMV 140.755	1	190	0,70	0,40	400	3.245	23,0	69	28,05	6,35	5/8"	7/8"	2"	25,87
FMV 140.765	1	190	0,70	0,40	400	3.060	22,0	69	33,65	7,65	5/8"	1.1/8"	2"	27,80
FMV 240.555	2	380	1,40	0,80	400	5.395	19,0	70	41,00	8,45	5/8"	1.1/8"	2"	40,38
FMV 240.565	2	380	1,40	0,80	400	5.030	18,0	70	49,20	10,85	5/8"	1.1/4"	2"	43,97
FMV 240.755	2	380	1,40	0,80	400	6.490	23,0	70	55,80	12,10	5/8"	1.1/4"	2"	47,70
FMV 240.765	2	380	1,40	0,80	400	6.120	22,0	70	67,00	14,50	5/8"	1.3/8"	2"	51,57
FMV 340.755	3	570	2,10	1,20	400	9.735	23,0	71	83,60	17,35	5/8"	1.3/8"	2"	68,89
FMV 340.765	3	570	2,10	1,20	400	9.190	22,0	71	100,30	21,40	5/8"	1.1/2"	2"	73,98
FMV 440.755	4	760	2,80	1,60	400	12.975	23,0	72	111,40	23,60	5/8"	1.5/8"	2"	90,50
FMV 440.765	4	760	2,80	1,60	400	12.245	22,0	72	133,65	28,30	5/8"	2"	2"	98,04

# DIMENSÕES E CARACTERÍSTICAS TÉCNICAS

## Dados Gerais

			Dimensões (mm)								
Modelo	Modelo	Modelo	A	B	C	D	E	F	G	H	I
FMV 140.553	FMV 140.554	FMV 140.555	575	530	890	580	-	-	-	-	435
FMV 140.563	FMV 140.564	FMV 140.565	575	530	890	580	-	-	-	-	435
FMV 140.753	FMV 140.754	FMV 140.755	575	530	1.090	780	-	-	-	-	535
FMV 140.763	FMV 140.764	FMV 140.765	575	530	1.090	780	-	-	-	-	535
FMV 240.553	FMV 240.554	FMV 240.555	575	530	1.440	1.130	575	555	-	-	710
FMV 240.563	FMV 240.564	FMV 240.565	575	530	1.440	1.130	575	555	-	-	710
FMV 240.753	FMV 240.754	FMV 240.755	575	530	1.840	1.530	775	755	-	-	910
FMV 240.763	FMV 240.764	FMV 240.765	575	530	1.840	1.530	775	755	-	-	910
FMV 340.753	FMV 340.754	FMV 340.755	575	530	2.590	2.280	775	750	755	-	1.285
FMV 340.763	FMV 340.764	FMV 340.765	575	530	2.590	2.280	775	750	755	-	1.285
FMV 440.753	FMV 440.754	FMV 440.755	575	530	3.340	3.030	775	750	750	755	1.660
FMV 440.763	FMV 440.764	FMV 440.765	575	530	3.340	3.030	775	750	750	755	1.660

			Resistências			
Modelo	Modelo	Modelo	Qty	Pot Tot (W)	220V 3F (A)	380V 3F (A)
FMV 140.553	FMV 140.554	FMV 140.555	2	3.000	7,87	4,56
FMV 140.563	FMV 140.564	FMV 140.565	2	3.000	7,87	4,56
FMV 140.753	FMV 140.754	FMV 140.755	2	4.000	10,50	6,08
FMV 140.763	FMV 140.764	FMV 140.765	2	4.000	10,50	6,08
FMV 240.553	FMV 240.554	FMV 240.555	4	6.000	15,75	9,12
FMV 240.563	FMV 240.564	FMV 240.565	4	6.000	15,75	9,12
FMV 240.753	FMV 240.754	FMV 240.755	4	8.000	20,99	12,15
FMV 240.763	FMV 240.764	FMV 240.765	4	8.000	20,99	12,15
FMV 340.753	FMV 340.754	FMV 340.755	6	12.000	31,49	18,23
FMV 340.763	FMV 340.764	FMV 340.765	6	12.000	31,49	18,23
FMV 440.753	FMV 440.754	FMV 440.755	8	16.000	41,99	24,31
FMV 440.763	FMV 440.764	FMV 440.765	8	16.000	41,99	24,31





---

RS 129 KM 76, ENCANTADO - RS  
contato@agraz.ind.br  
(51) 3751-0222

[www.agraz.ind.br](http://www.agraz.ind.br)